

F

E

D

C

B

A

4

3

2

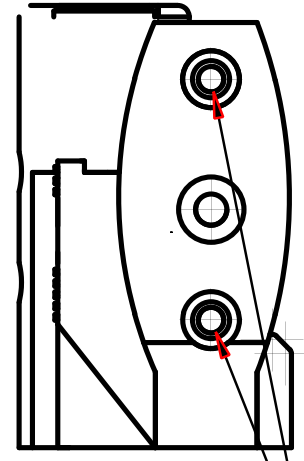
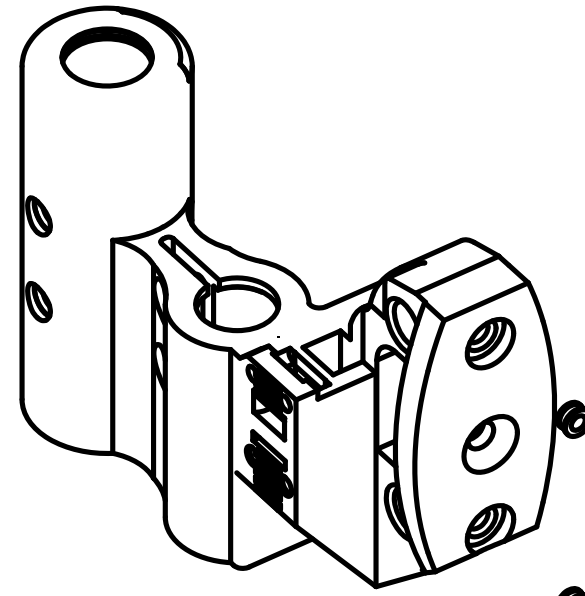
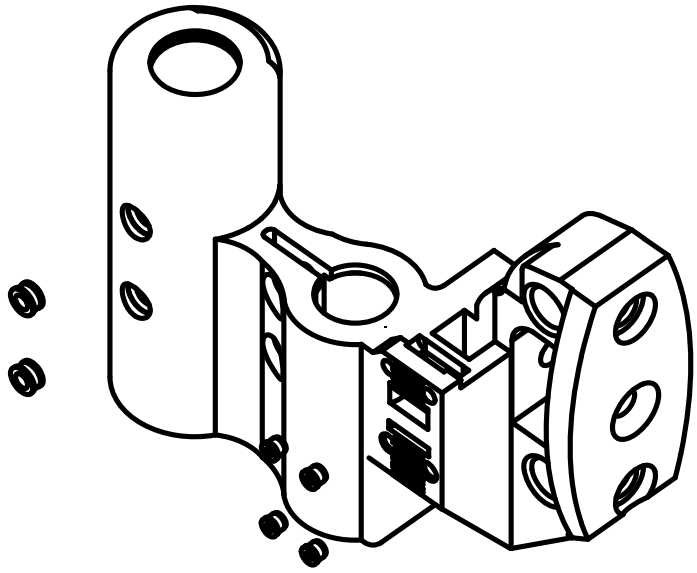
1

4

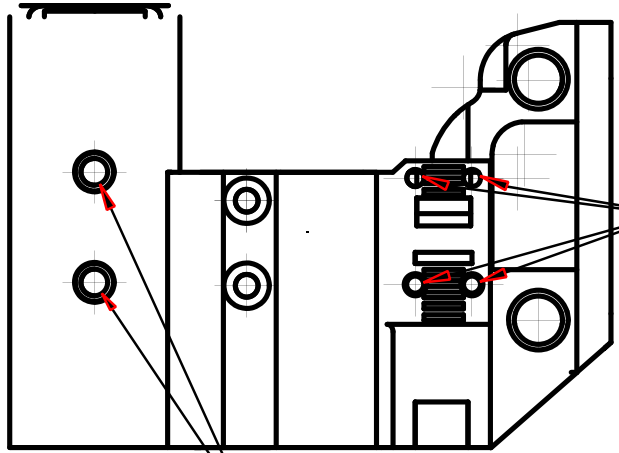
3

2

1

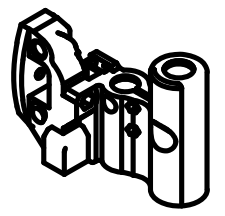


2X M3 Brass Inserts [HD-MS0030]



4X M2 Brass Inserts [PP-MP0066]

2X M3 Brass Inserts [HD-MS0030]



DESIGNED BY: Tutley		X_end_idler_inserts		G	-
DATE: 2/13/18		Hibiscus		F	-
SIZE A4				E	-
				D	-
SCALE 3:4	WEIGHT (kg) N/A	DRAWING NUMBER AS-PR0087	SHEET 1/1	C	-
				B	-
				A	X

F

E

D