

F

E

D

C

B

A

4

3

2

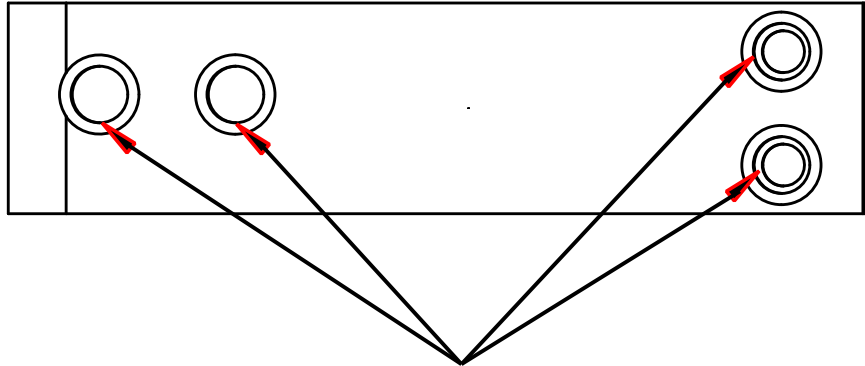
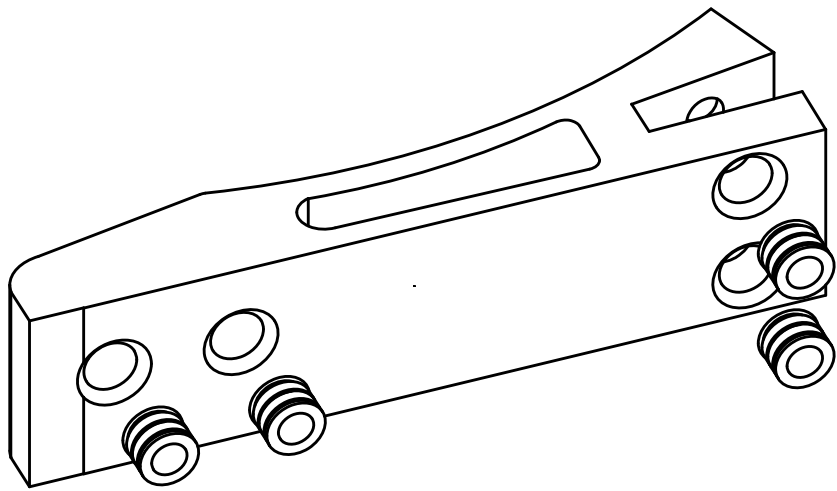
1

4

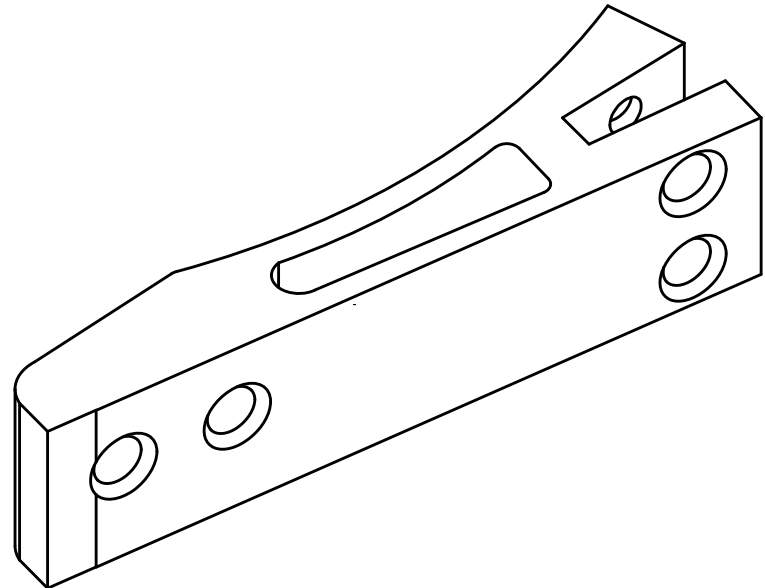
3

2

1



4X M5 Brass Inserts [HD-MS0158]



F

E

D

DESIGNED BY: Tutley		Spool_mount_b_inserts		G	-
DATE: 2/13/18		Hibiscus		F	-
SIZE				E	-
A4				D	-
SCALE	WEIGHT (kg)	DRAWING NUMBER	SHEET	C	-
1:1	N/A	PP-IS0045	1/1	B	-
				A	X

