

**Notes:**

1. Part must be RoHS compliant
2. Break all sharp edges prior to powder coat
3. Mask all threads prior to powder coat
4. Part is to be powder coated with Cardinal color C241-BK109  
Powder coat thickness must be between 0.05 and 0.12mm.
5. Parts must be clean, free of oil and debris

**Rev Date Notes**

| Rev | Date    | Notes  |
|-----|---------|--|
| E   | 2.13.18 | Added powder coat hang points, note 5, M3 holes now inserts, 365 and 51 dims tolerance widened |
| D   | 12.7.17 | Added weld callout on page 2, and 2X 45.0  |
| C   | 11.9.17 | Rev for Mini 2   |

DRAWN BY:  
**bam**

DATE:  
**4/29/16**

MATERIAL:  
**12 AWG Aluminum**

UNLESS OTHERWISE SPECIFIED  
DIMENSIONS ARE IN MILLIMETERS.  
TOLERANCES ARE:

| DECIMALS   | ANGLES |
|------------|--------|
| .X±.75     | X°±1°  |
| .XX±.25    |        |
| .XXX±.125  | 63     |
| .XXXX±.050 |        |

BREAK EDGES 0.1/0.5  
FILLET RADIUS 0.1/0.5



**ALEPH  
OBJECTS**  
INCORPORATED

626 West 66th Street  
Loveland, Colorado 80538, USA  
Phone +1-970-377-1111  
www.alephobjects.com

TITLE

**Bottom plate mini**

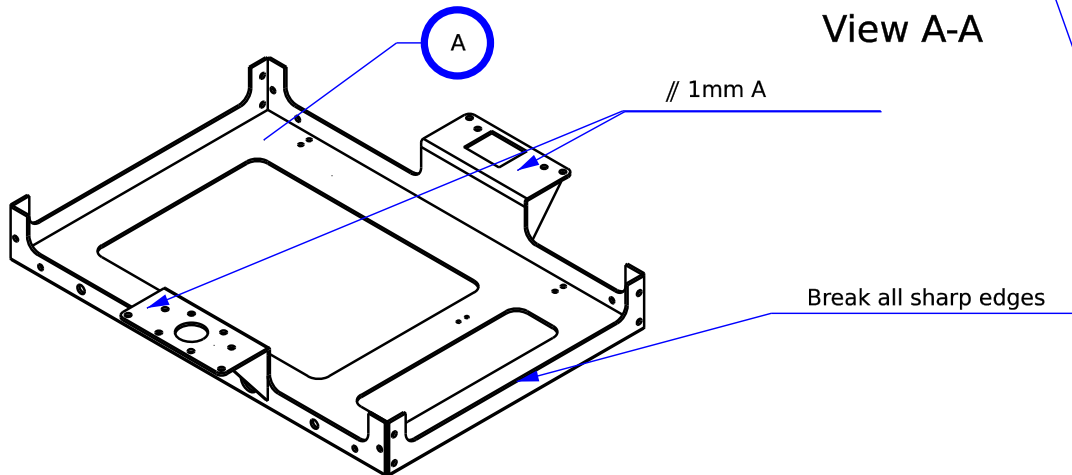
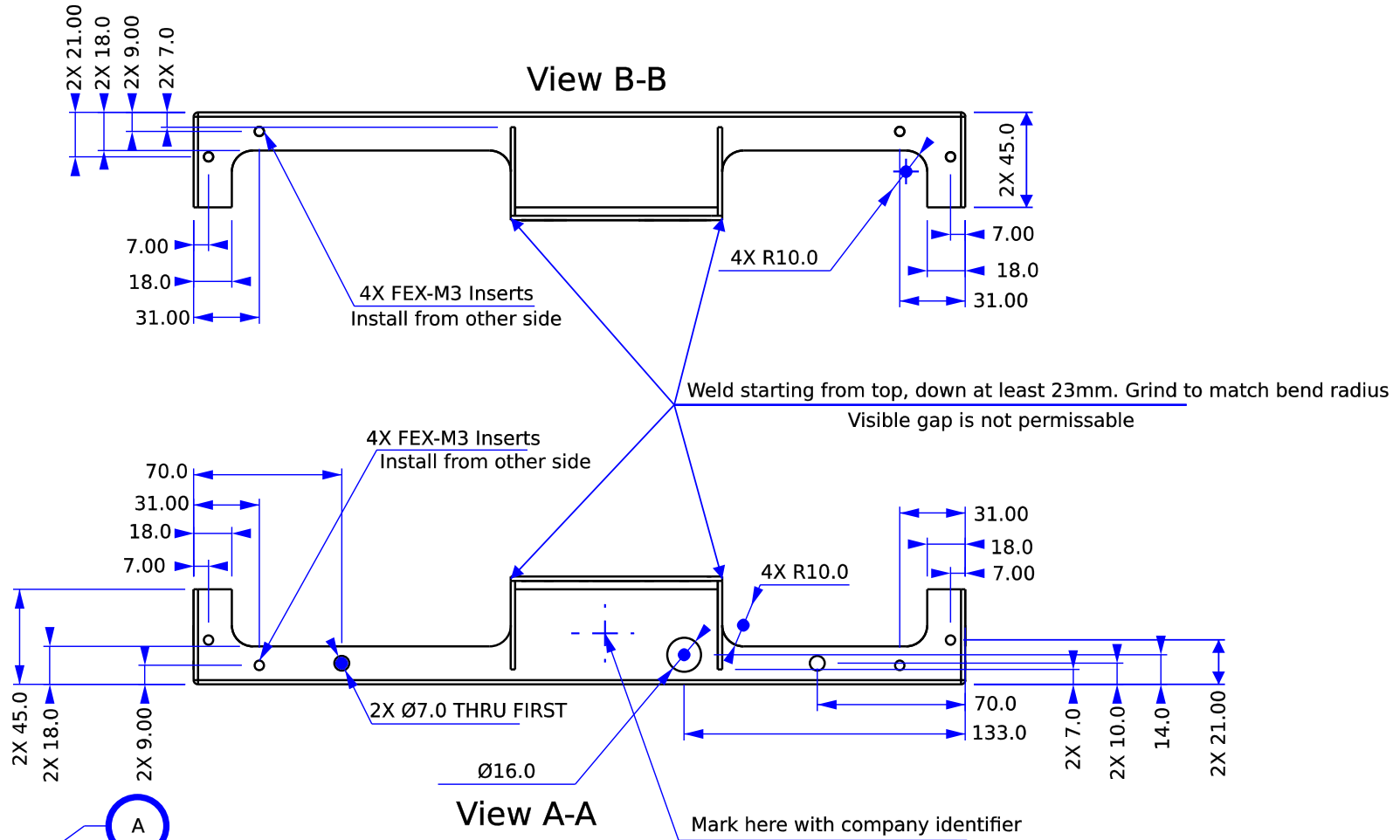
SIZE DWG NO.  
**A PP-MP0149**

REV.  
**E**

SCALE **1:3**

DO NOT SCALE DRAWING

SHEET **1 of 2**



|                   |           |                      |              |
|-------------------|-----------|----------------------|--------------|
| TITLE             |           |                      |              |
| Bottom plate mini |           |                      |              |
| SIZE              | DWG NO.   | REV.                 |              |
| A                 | PP-MP0149 | E                    |              |
| SCALE             | 1:3       | DO NOT SCALE DRAWING | SHEET 2 of 2 |