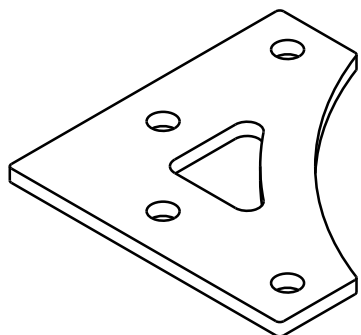


**Notes:**

1. Parts must be R0HS compliant
2. Material: 5052 H-32 Aluminum
3. Break all sharp edges prior to powder coat
4. Part is to be powder coated with Cardinal color C241-BK109. Thickness of coating not to exceed 0.08mm



DRAWN BY:  
**BAM**

DATE:  
**9/17/15**

MATERIAL:  
**See Notes**

UNLESS OTHERWISE SPECIFIED  
DIMENSIONS ARE IN MILLIMETERS.  
TOLERANCES ARE:

DECIMALS	ANGLES
.X±.75	X°±1°
.XX±.25	
.XXX±.125	
.XXXX±.050	

BREAK EDGES 0.1/0.5  
FILLET RADIUS 0.1/0.5



**ALEPH  
OBJECTS**  
INCORPORATED

626 West 66th Street  
Loveland, Colorado 80538, USA  
Phone +1-970-377-1111  
www.alephobjects.com

TITLE

**Corner Bracket v2.0**

SIZE  
**A**

DWG NO.  
**PP-MP0106**

REV.  
**1**

SCALE  
**1:1**

DO NOT SCALE DRAWING

SHEET  
**1 of 1**