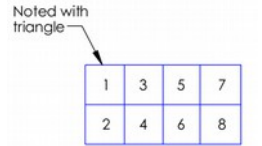
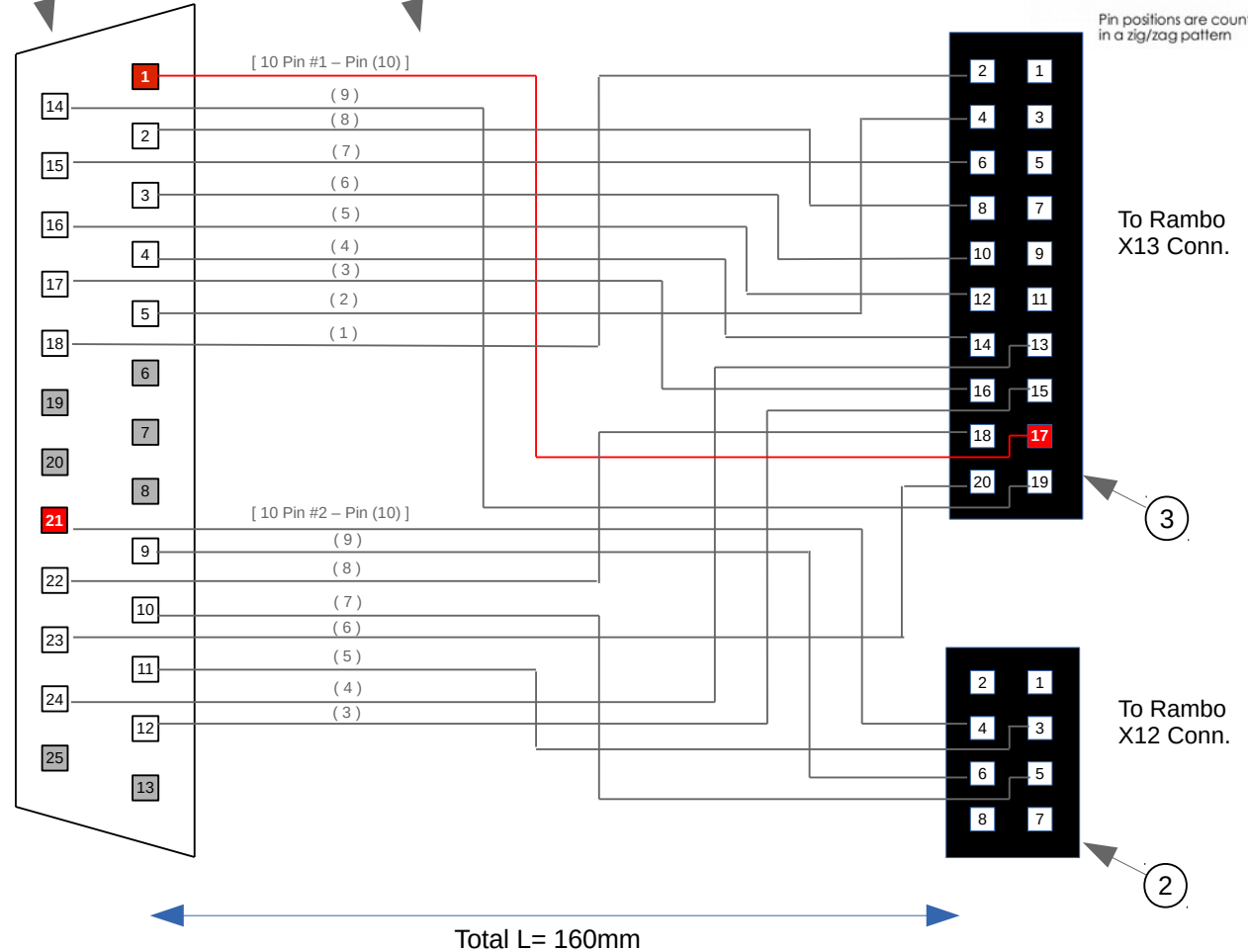


1 25 Pin Receptacle (female)

5 25 Conductor flat cable - split into individual wires



Pin positions are counted in a zig/zag pattern



At LCD Box		Inside Control Box	
10 Pin #1	25 Pin		Black 20-Pin Conn
Pin 1	18		20 Pin, Pin 2
Pin 2	5		20 Pin, Pin 4
Pin 3	17		20 Pin, Pin 16
Pin 4	4		20 Pin, Pin 14
Pin 5	16		20 Pin, Pin 12
Pin 6	3		20 Pin, Pin 10
Pin 7	15		20 Pin, Pin 6
Pin 8	2		20 Pin, Pin 8
Pin 9	14		20 Pin, Pin 19
Pin 10	1		20 Pin, Pin 17
10 Pin #2	25 Pin		Black 8-Pin Conn
Pin 1	13		Not Used
Pin 2	25		Not Used
Pin 3	12		20 Pin, Pin 15
Pin 4	24		20 Pin, Pin 13
Pin 5	11		8 Pin, Pin 3
Pin 6	23		20 Pin, Pin 20
Pin 7	10		8 Pin, Pin 5
Pin 8	22		20 Pin, Pin 18
Pin 9	9		8 Pin, Pin 6
Pin 10	21		8 Pin, Pin 4

	DESCRIPTION	MFG	MFG PART NO	VENDOR	VEND PART NO
1	25Pos D-sub Receptacle	3M	8350-7005	DIGIKEY	3M15414-ND
2	8Pos Conn. Housing	Molex	22-55-2081	DIGIKEY	WM2521-ND
3	20Pos Conn. Housing	Molex	22-55-2201	DIGIKEY	WM2527-ND
4	Connector Crimp/Socket	Molex	0016020102	DIGIKEY	WM2510-ND
5	25Cond Ribbon LT GRY 100FT (16cm)	3M	HF365/25SF	DIGIKEY	MD25R-100-ND

DRAWN BY
C. HUYNH 1/2014



ALEPH OBJECTS
INCORPORATED



TITLE

CB_ LCD Harness

SIZE DWG NO.

REV.

SCALE:

SHEET