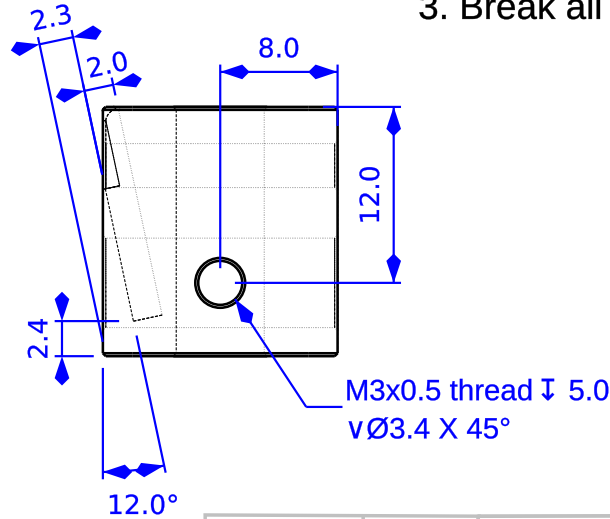
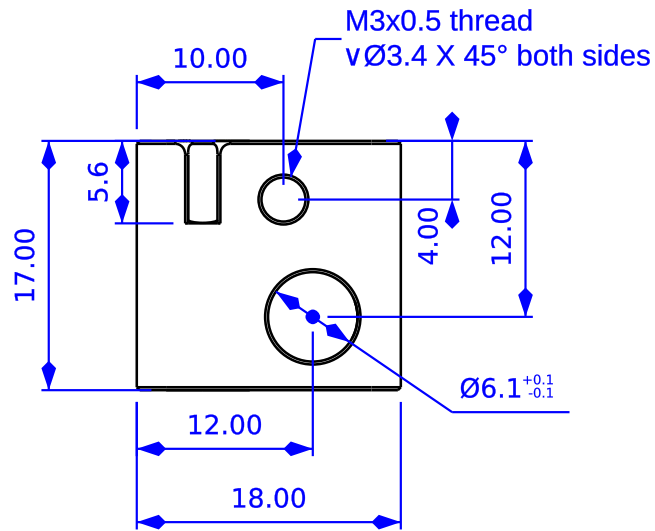


Notes:

1. Parts must be RoHS compliant
2. Parts must be clean, free of oil and debris
3. Break all edges



Rev	Date	Description
A	11/14/18	Added chamfers

Initials
KJ

DRAWN BY:
Kent

DATE:
11/26/18

MATERIAL:
6061 Alluminum

UNLESS OTHERWISE SPECIFIED
DIMENSIONS ARE IN MILLIMETERS.
TOLERANCES ARE:

DECIMALS	ANGLES
.X±.75	X°±1°
.XX±.25	
.XXX±.125	
.XXXX±.050	63

BREAK EDGES 0.1/0.5
FILLET RADIUS 0.1/0.5



**ALEPH
OBJECTS**
INCORPORATED

626 West 66th Street
Loveland, Colorado 80538, USA
Phone +1-970-377-1111
www.alephobjects.com

TITLE

AO-hex Heater Block

SIZE DWG NO.
A PP-MP0134

REV.
A

SCALE n/a DO NOT SCALE DRAWING SHEET 1 of 1