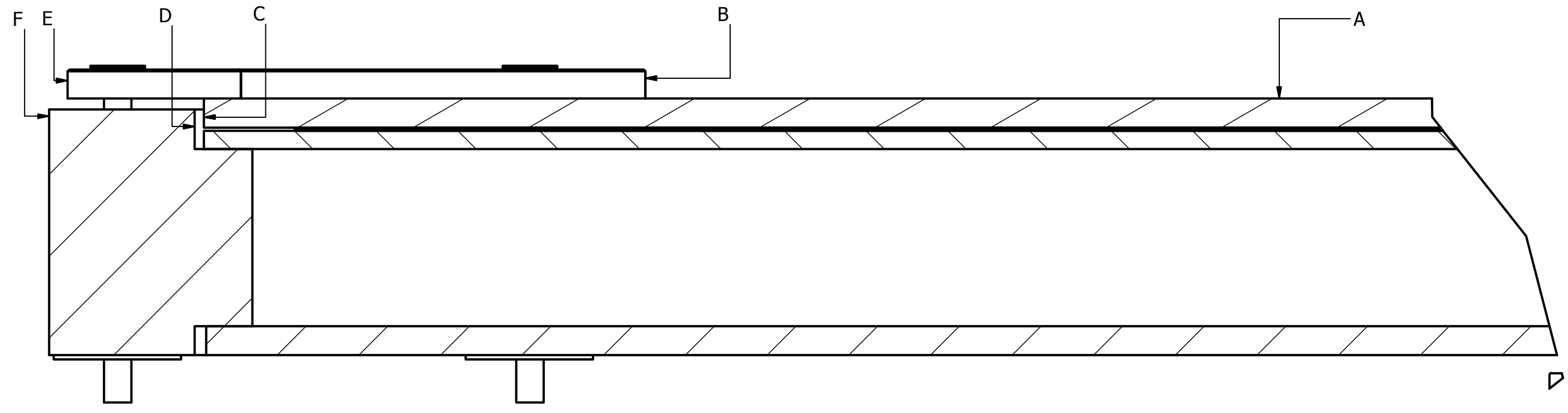


	Mid mm	Full mm	Inch
A	150	300	11.81
B	155	310	12.205
C/D	160	320	12.60
C	159	318	12.52
D	161	322	12.68
E	174	348	13.70
F	176	352	13.86



DRAWN Jim	7/23/2013	TITLE		
CHECKED				
QA				
MFG				
APPROVED		SIZE C	DWG NO Assembly	REV
		SCALE	SHEET 1 OF 1	